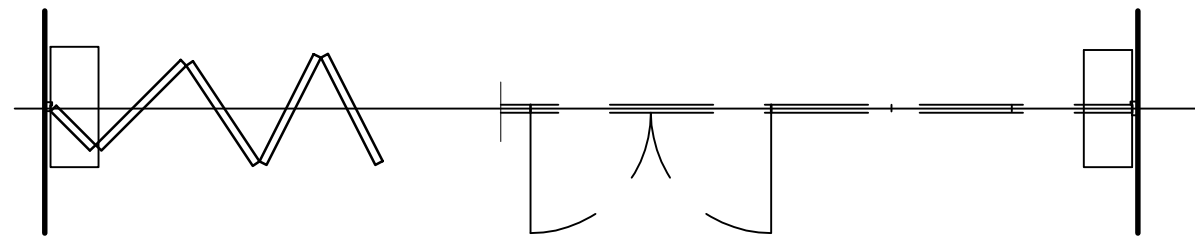
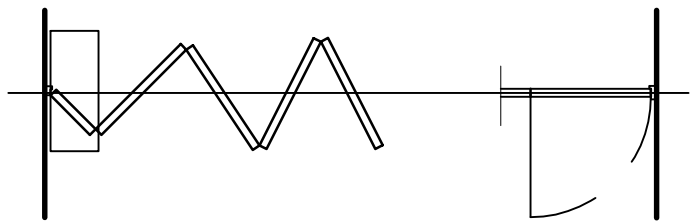
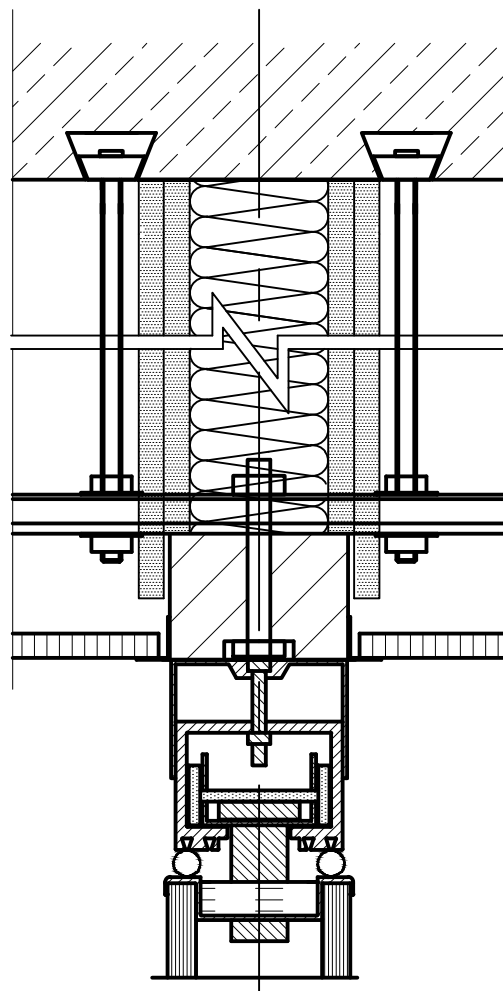


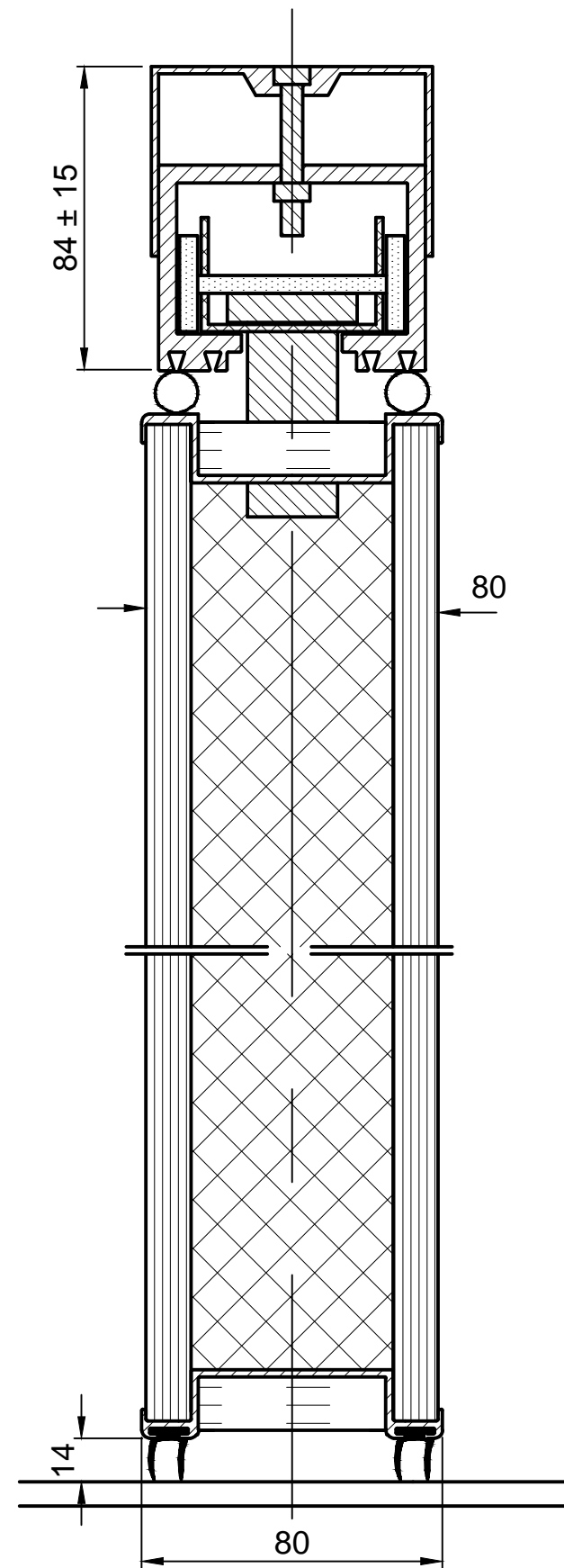
PRODUCT OPTIONS - TYPE 200 TOP HUNG



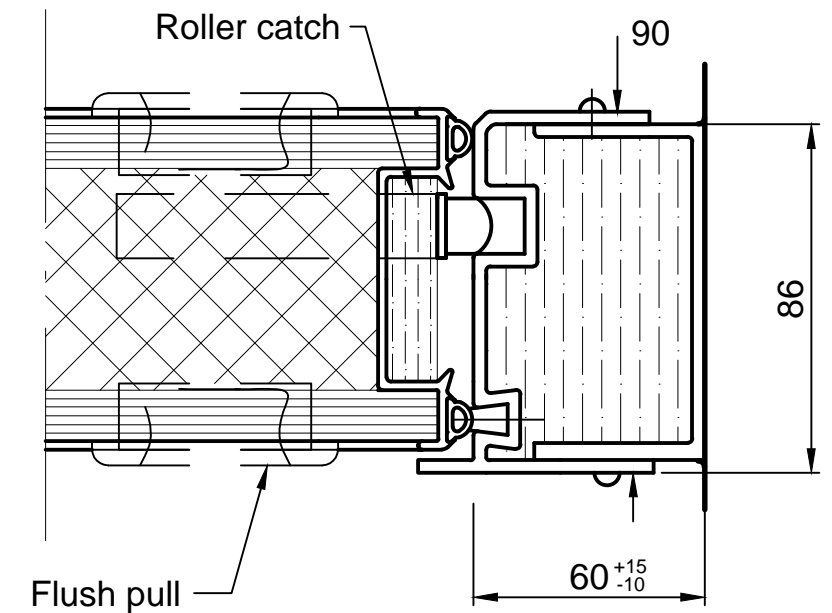
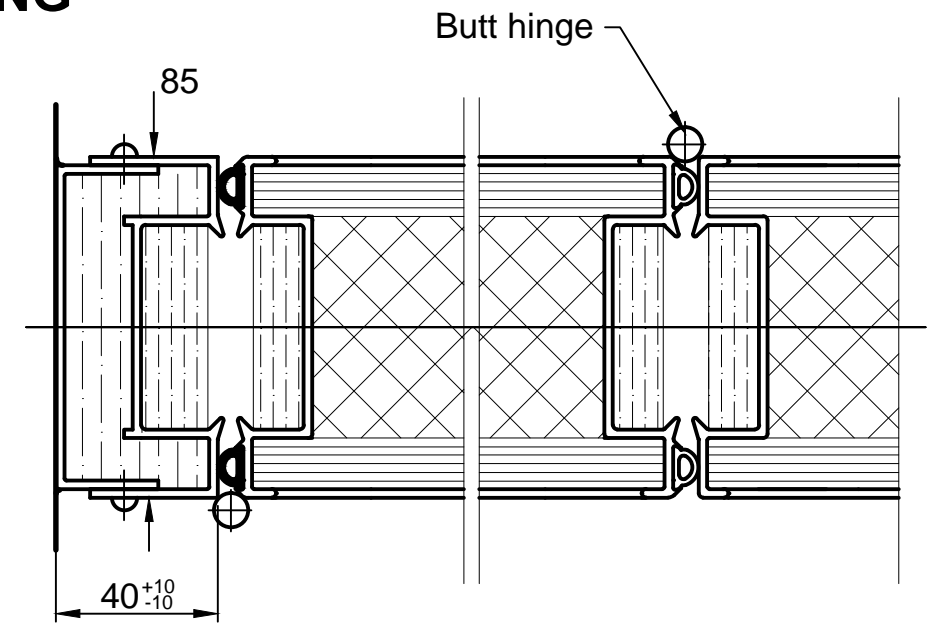
LAYOUT TYPES



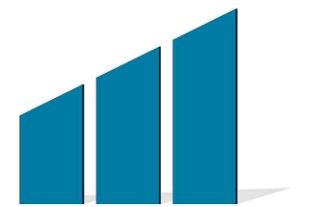
TYPICAL HEAD TRACK FIXING DETAIL



VERTICAL SECTION



HORIZONTAL SECTION - WALL JAMB



MOVAWALL
Movawall Systems Ltd
 Tel : +44 (0) 20 8391 8790
 www.movawall.co.uk
 E-Mail : Sales@movawall.co.uk
DRG. NO.: SL - 203