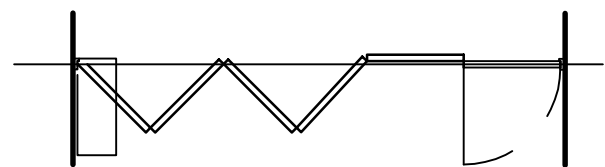
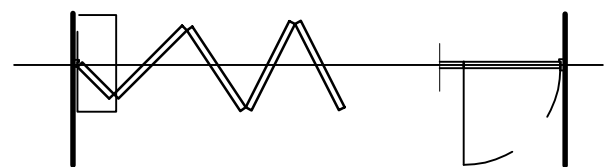


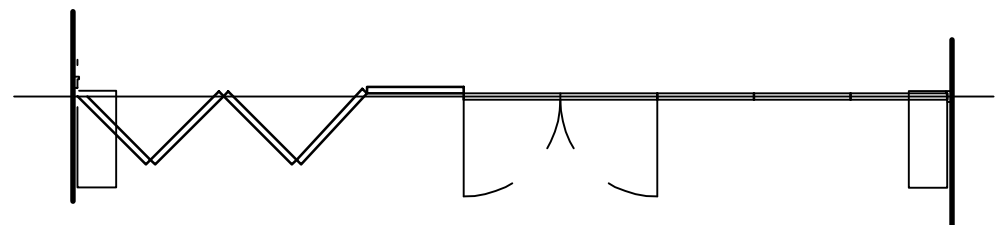
PANEL DETAILS - TYPE 200



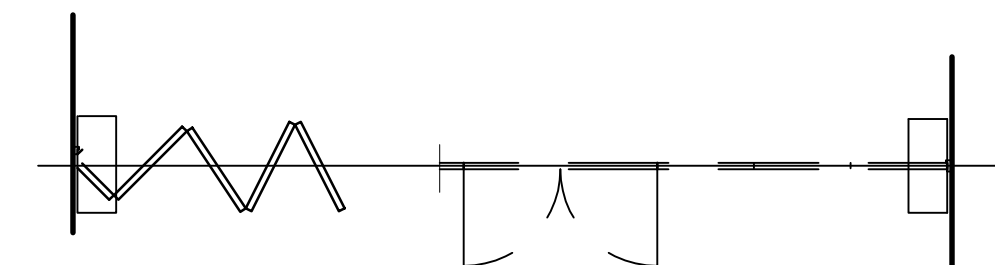
1. END FOLD - SINGLE.



2. CENTRE FOLD - SINGLE.

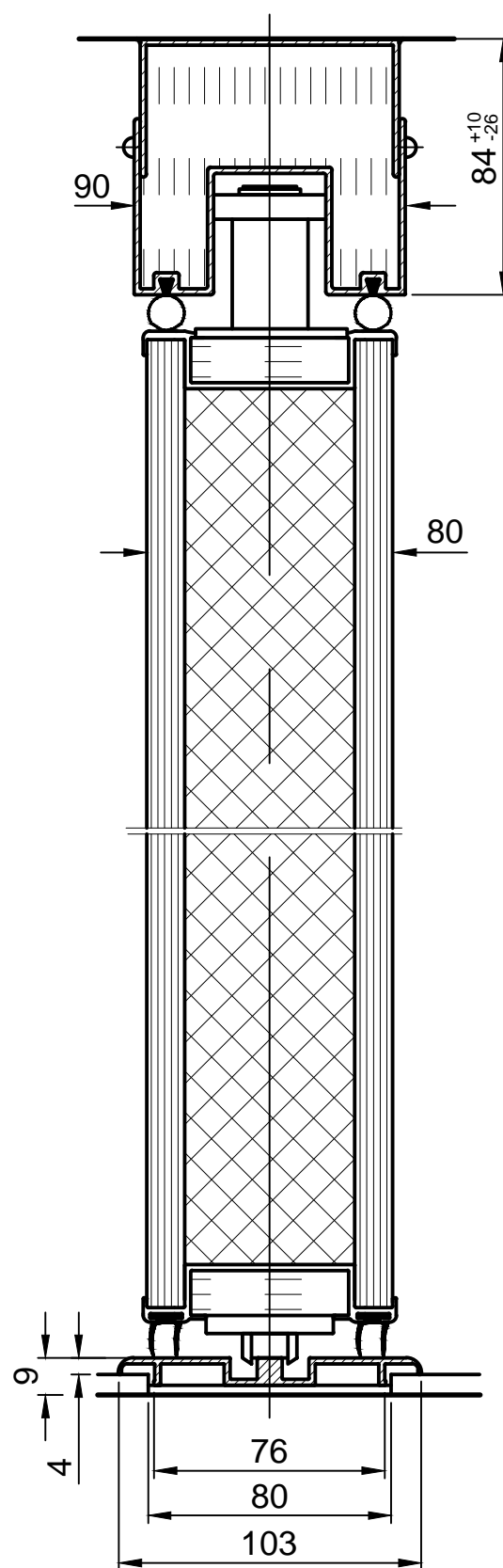


3. END FOLD - BI-PARTING

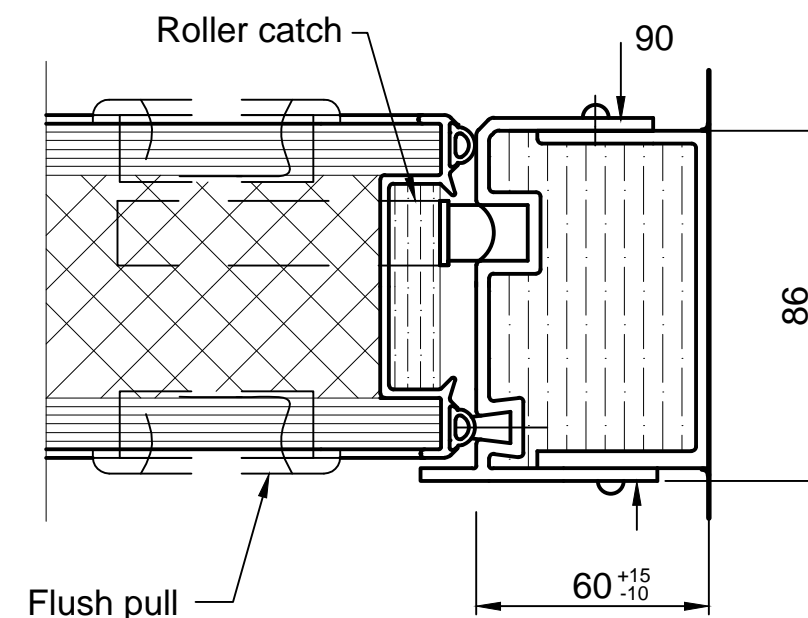
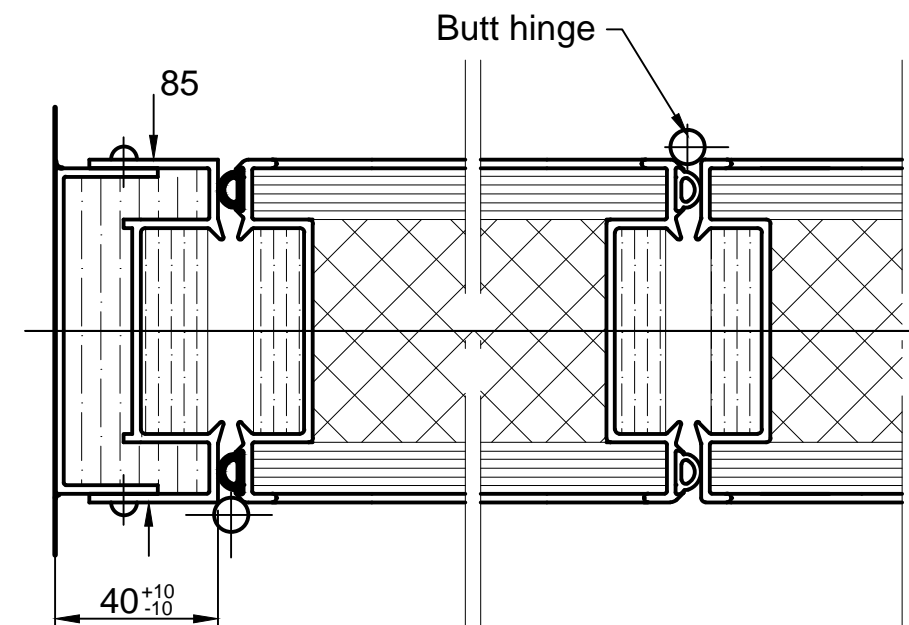


4. CENTRE FOLD - BI-PARTING

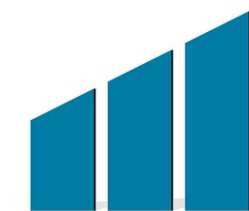
LAYOUT TYPES



VERTICAL SECTION



HORIZONTAL SECTION - WALL JAMBS



MOVAWALL
Movawall Systems Ltd

Tel : +44 (0) 20 8391 8790
www.movawall.co.uk
 E-Mail : Sales@movawall.co.uk

DRG. NO.: SL - 201