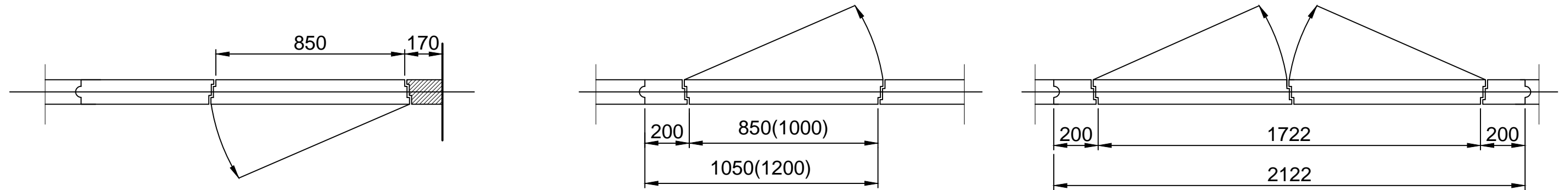
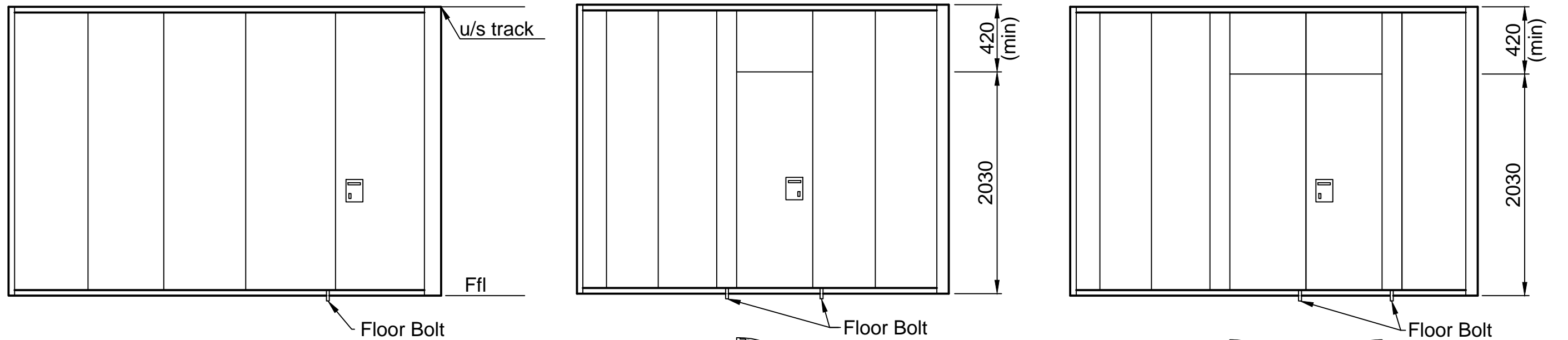


PASS DOOR OPTIONS - TYPE 100

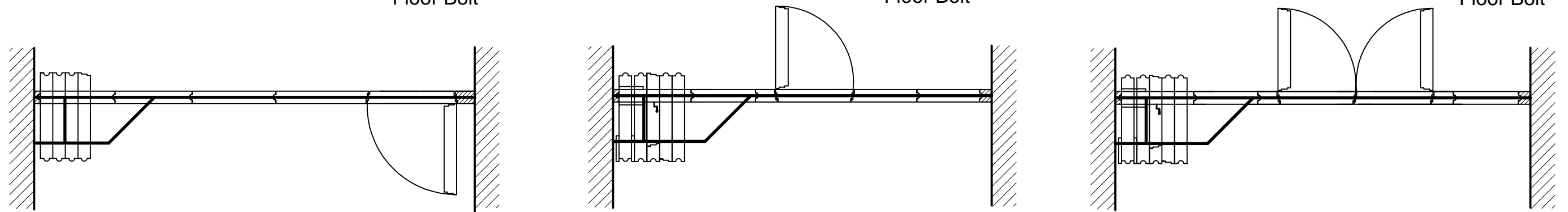
Plan



Elevation

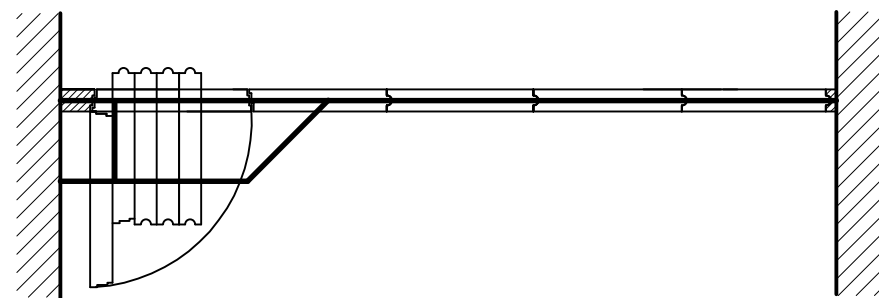


Layout plan



2. SINGLE PASS DOOR PANEL (SE1)

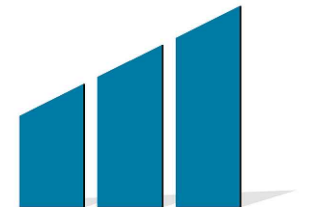
3. DOUBLE PASS DOOR PANEL (SE2)



1. FULL HEIGHT HINGED DOOR (DT)

Notes:

1. Standard dimensions of pass door panels shown
2. Other types and sizes available
3. Pass door panels can be used on any ceiling track system



M O V A W A L L
Movawall Systems Ltd

Tel : +44 (0) 20 8391 8790
www.movawall.co.uk
 E-Mail : Sales@movawall.co.uk

DRG. NO.: SL - 104