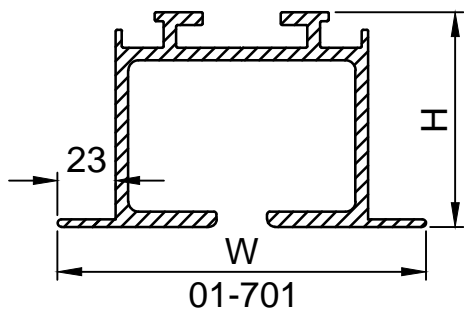
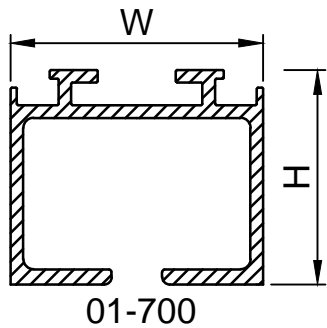
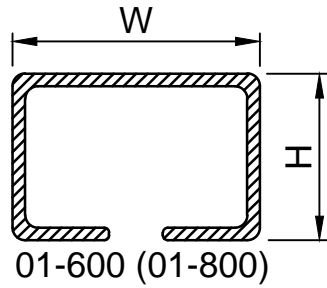
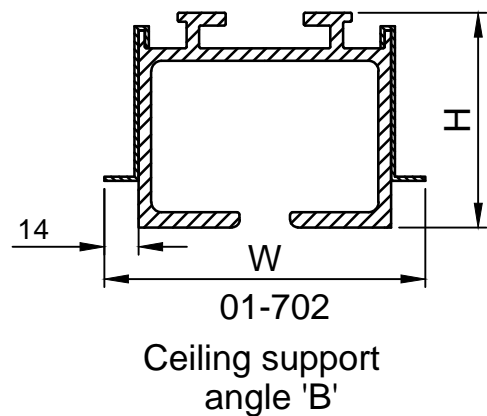


CEILING TRACK & FIXING OPTIONS - TYPE 100

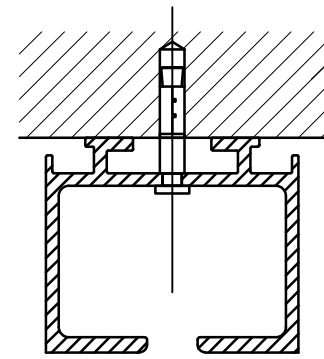
Type	H	W	Material
01-600	66	98	Steel
01-700	85	100	Aluminium
01-701	85	146	Aluminium
01-702	85	128	Aluminium
01-800	80	140	Steel



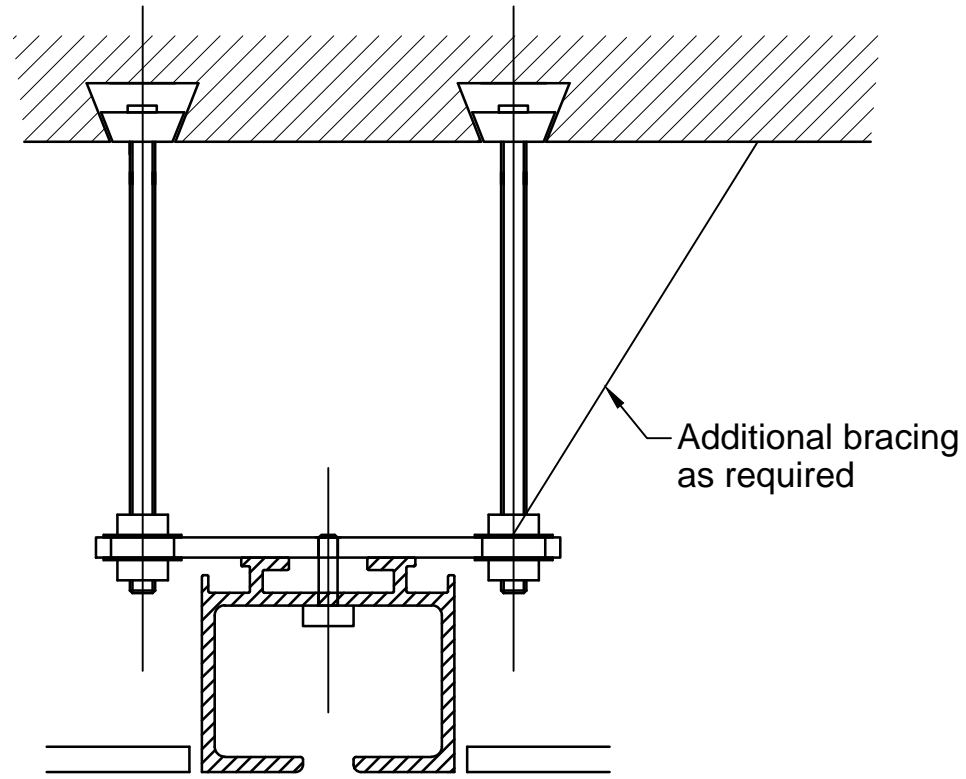
Ceiling support angle 'A'



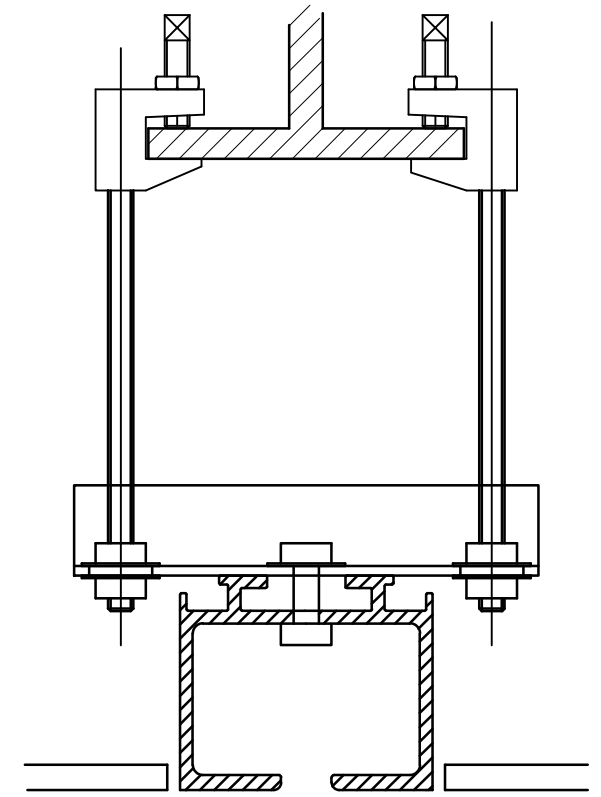
Ceiling support angle 'B'



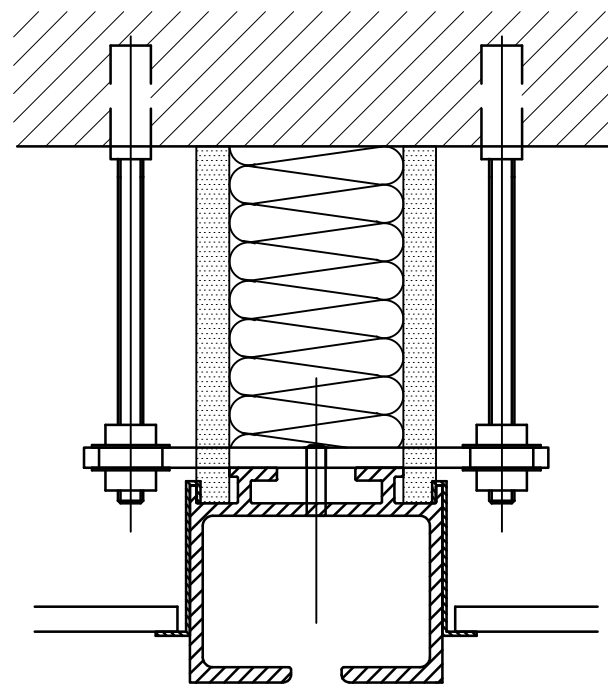
1. FIXED TO SOLID CONCRETE SOFFIT



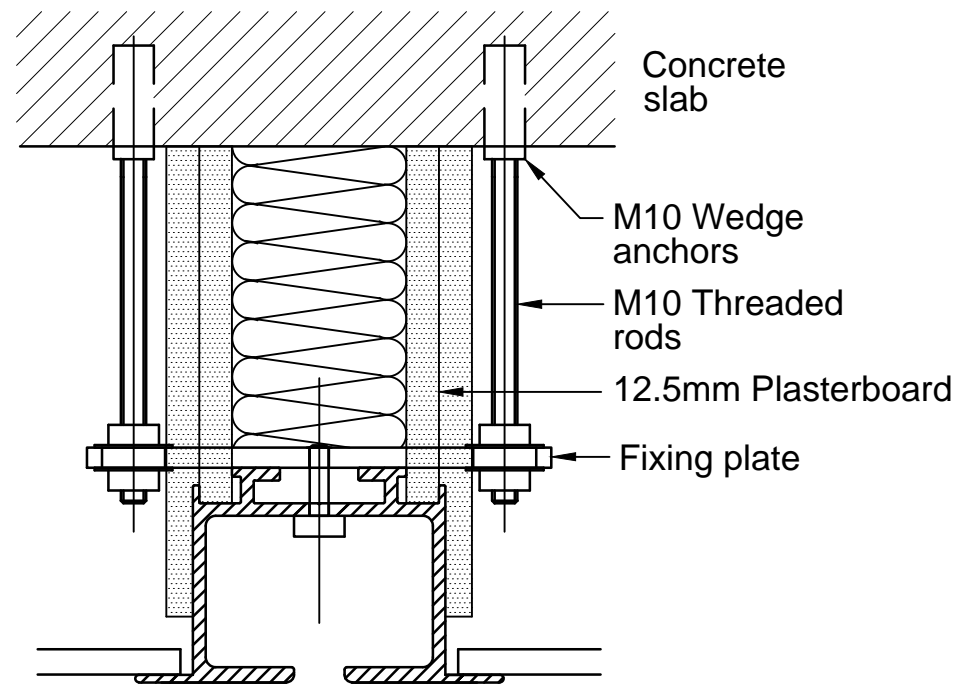
2. FIXED TO STRUCTURAL STEEL TRAY



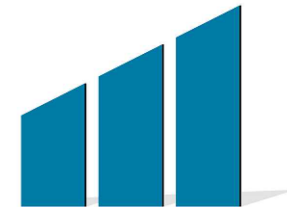
3. FIXED TO STEEL BEAM USING 'LINDAPTER CLAMPS'



4. CEILING VOID BAFFLE
'E' track detail with angle 'B' and single skin baffle



5. CEILING VOID BAFFLE
Fixed to solid concrete slab with double skin baffle for high level of sound reduction



MOVAWALL
Movawall Systems Ltd
 Tel : +44 (0) 20 8391 8790
www.movawall.co.uk
 E-Mail : Sales@movawall.co.uk
DRG. NO.: SL - 102