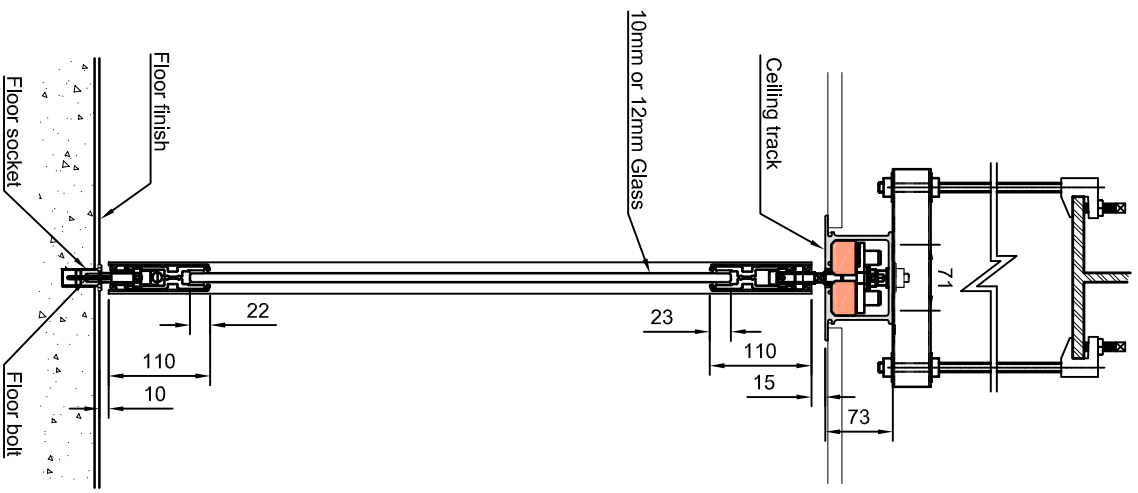
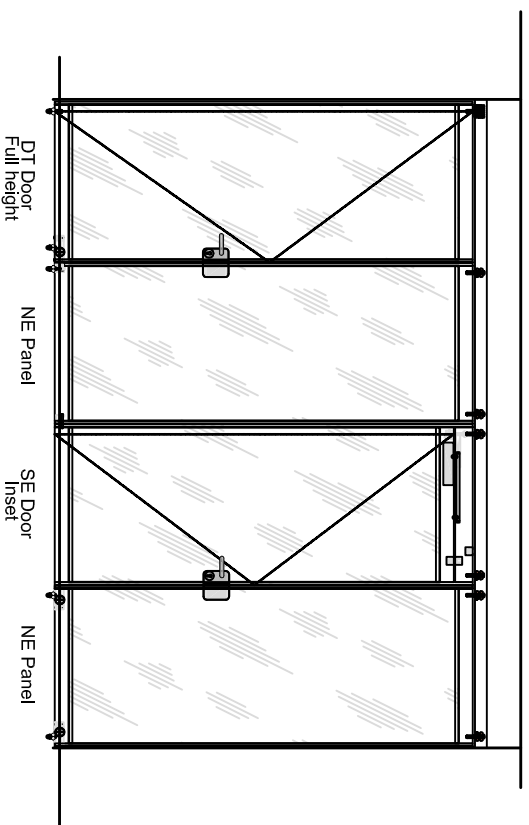


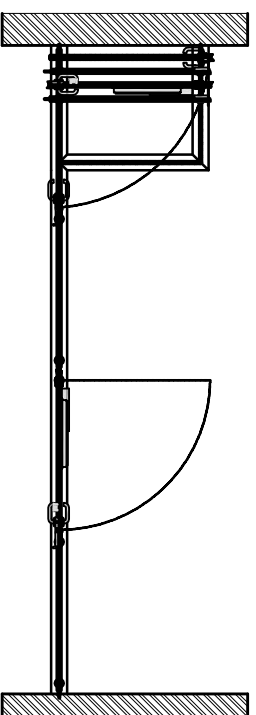
PANEL DETAILS - TYPE GG PLUS TOP HUNG FRAMED GLASS SLIDING PARTITION



VERTICAL SECTION OF PANEL & TRACK FIXING



ELEVATION



PLAN



M O V A W A L L

Movawall Systems Ltd

Tel : +44 (0) 20 8391 8790

www.movawall.co.uk

E-Mail : Sales@movawall.co.uk

DRG. NO.: SL - GG02