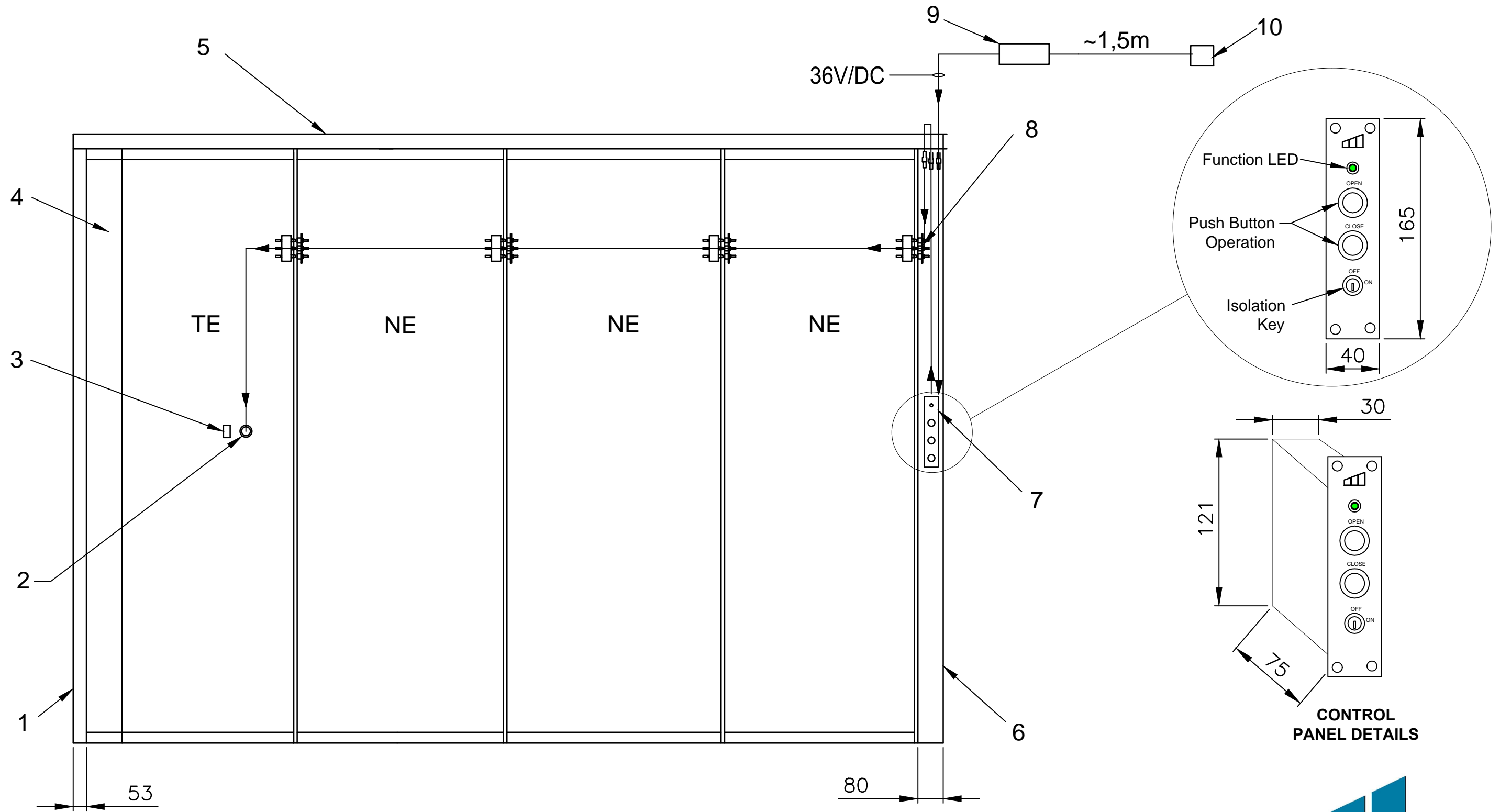
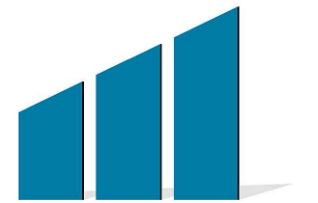


# SEMI ELECTRIC OPERATION - TYPE 100SE



- 1. WL jamb
- 2. Push button (TE Operation)
- 3. Escutcheon cover for manual override
- 4. Telescopic sleeve
- 5. Head track

- 6. WAL jamb
- 7. Control panel
- 8. Panel terminal connectors
- 9. Power transformer (170mm x70mm x40mm)
- 10. 13amp 3 pin socket



**M O V A W A L L**  
**Movawall Systems Ltd**  
 Tel : +44 (0) 20 8391 8790  
 www.movawall.co.uk  
 E-Mail : Sales@movawall.co.uk  
**DRG. NO.: SL - 107**