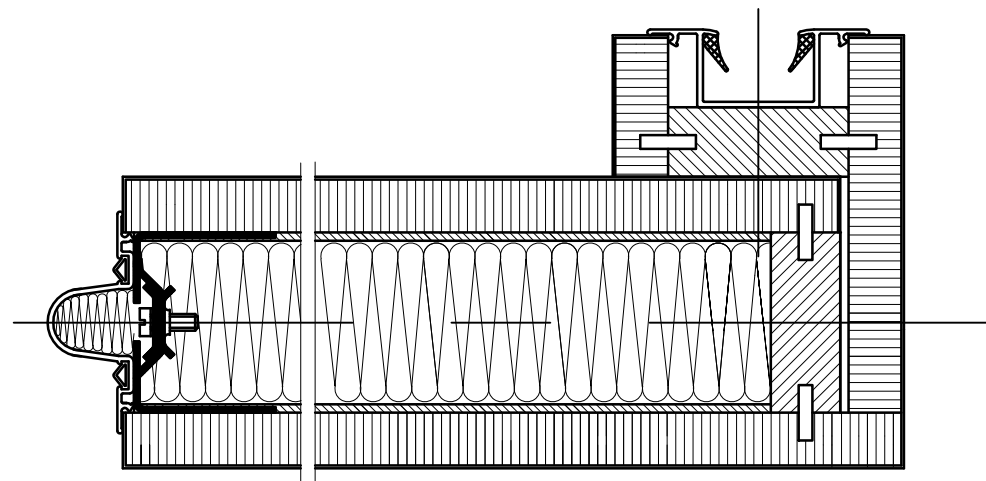
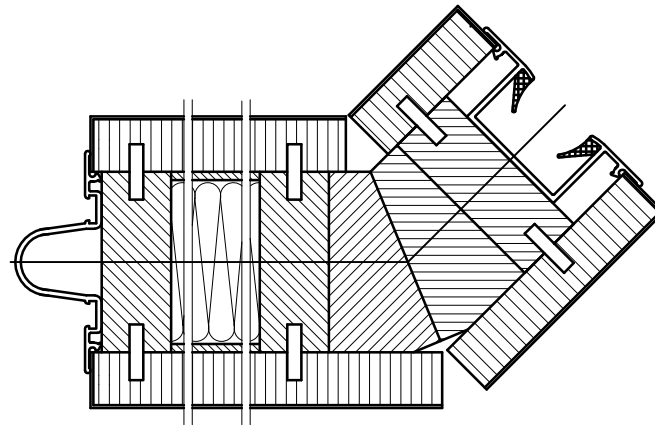


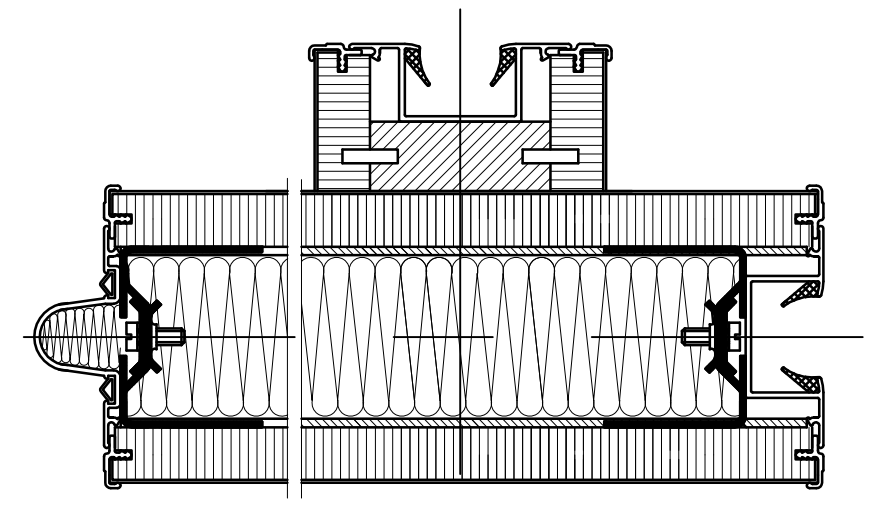
CORNER, T-JUNCTION & GLAZING DETAILS - TYPE 100



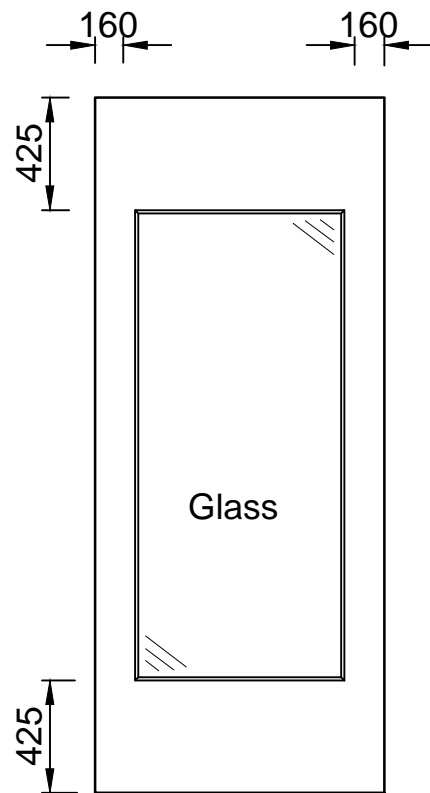
1. 90° CORNER PANEL (EE)



2. 45° CORNER PANEL (EE)

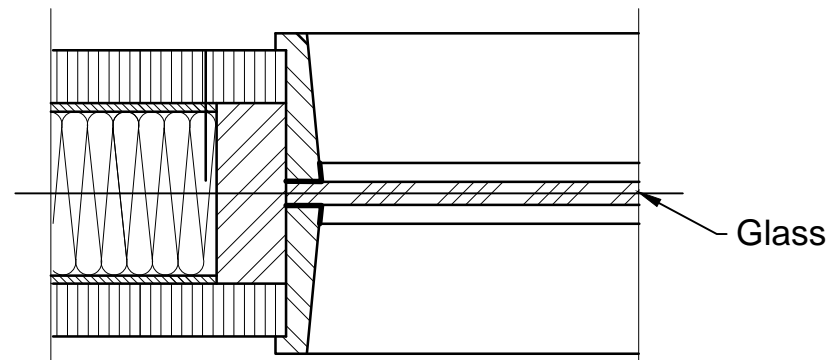


3. T - JUNCTION PANEL (EE)

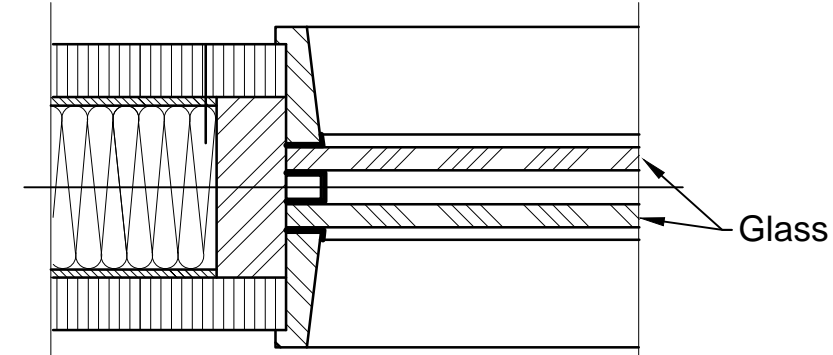


4. MAX GLAZING - ELEVATION

* Minimum dimensions

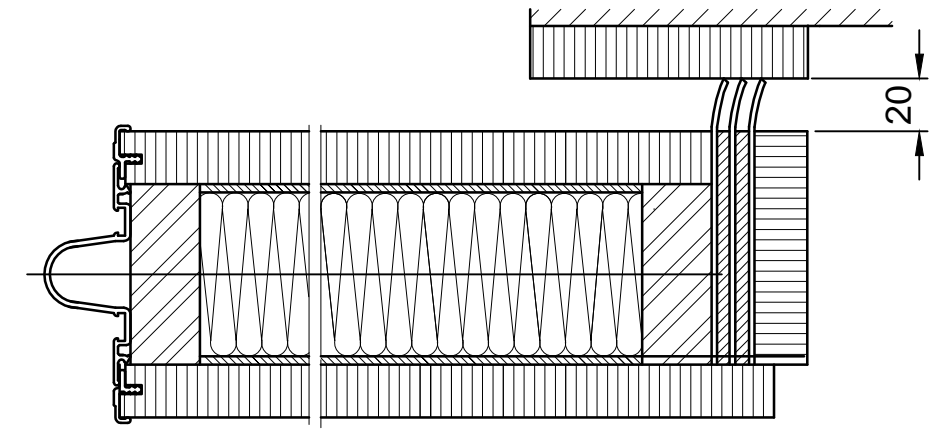


a) Single glazing

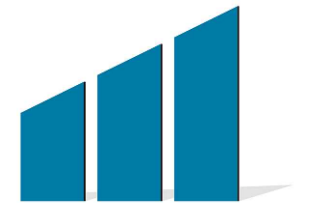


b) Double glazing

5. HORIZONTAL GLAZING SECTIONS



6. OVERLAP PANEL (LE)



MOVAWALL
Movawall Systems Ltd

Tel : +44 (0) 20 8391 8790
 www.movawall.co.uk
 E-Mail : Sales@movawall.co.uk

DRG. NO.: SL - 105