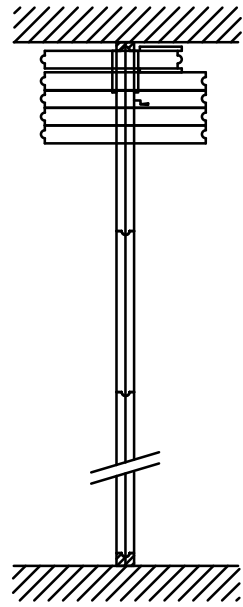
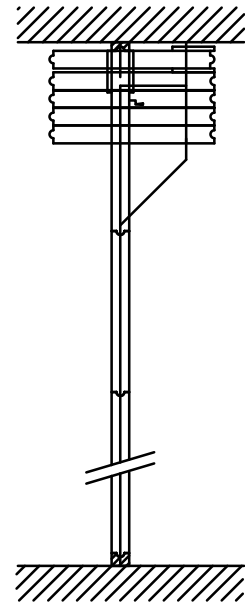


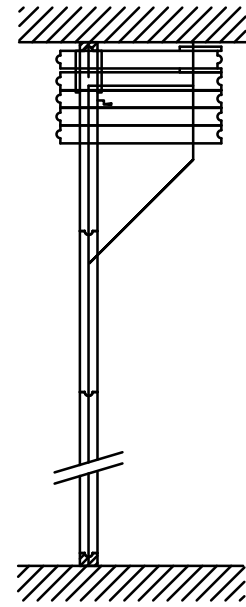
TRACK AND PANEL LAYOUT - EXAMPLES



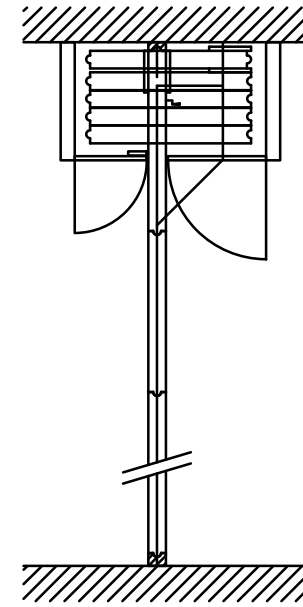
TL1
('E' SYSTEM)



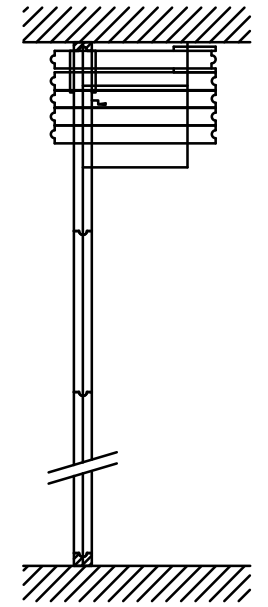
TL2
('Za' SYSTEM)



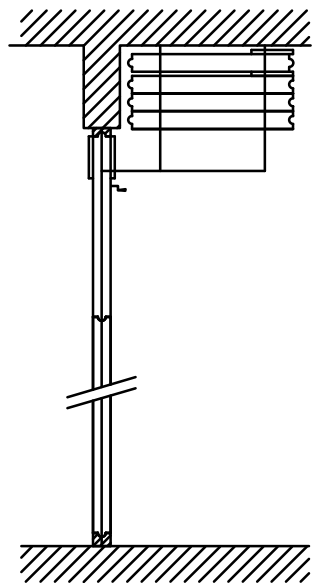
TL3
('Zb' SYSTEM)



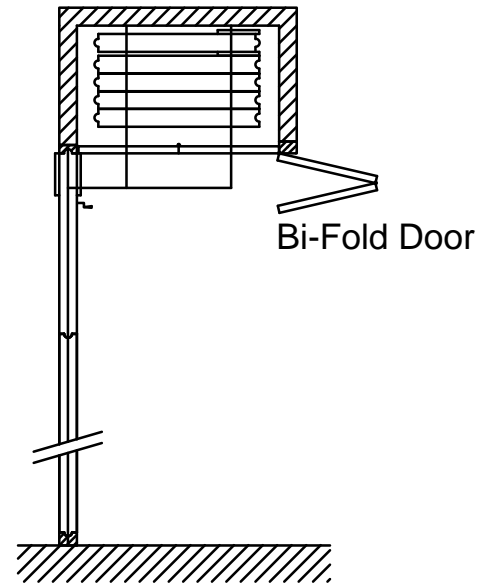
TL4
('Z' SYSTEM)
Panels stacked
in recess cupboard



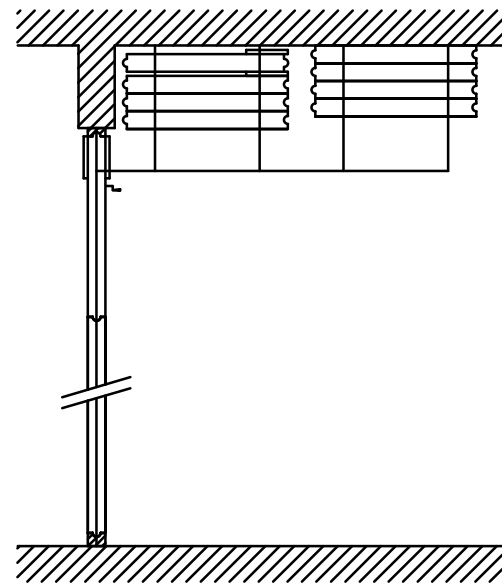
TL5
('K' SYSTEM)



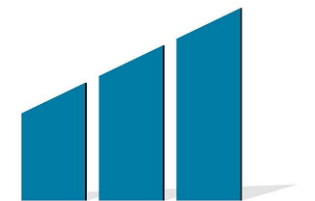
TL6
('K' SYSTEM)
Panels stacked
behind reveal



TL7
('K' SYSTEM)
Panels stacked
inside wall recess



TL8
('K' SYSTEM)
Panels stacked
in branches to
one or both sides



M O V A W A L L
Movawall Systems Ltd
Tel : +44 (0) 20 8391 8790
www.movawall.co.uk
E-Mail : Sales@movawall.co.uk
DRG. NO.: SL - 101